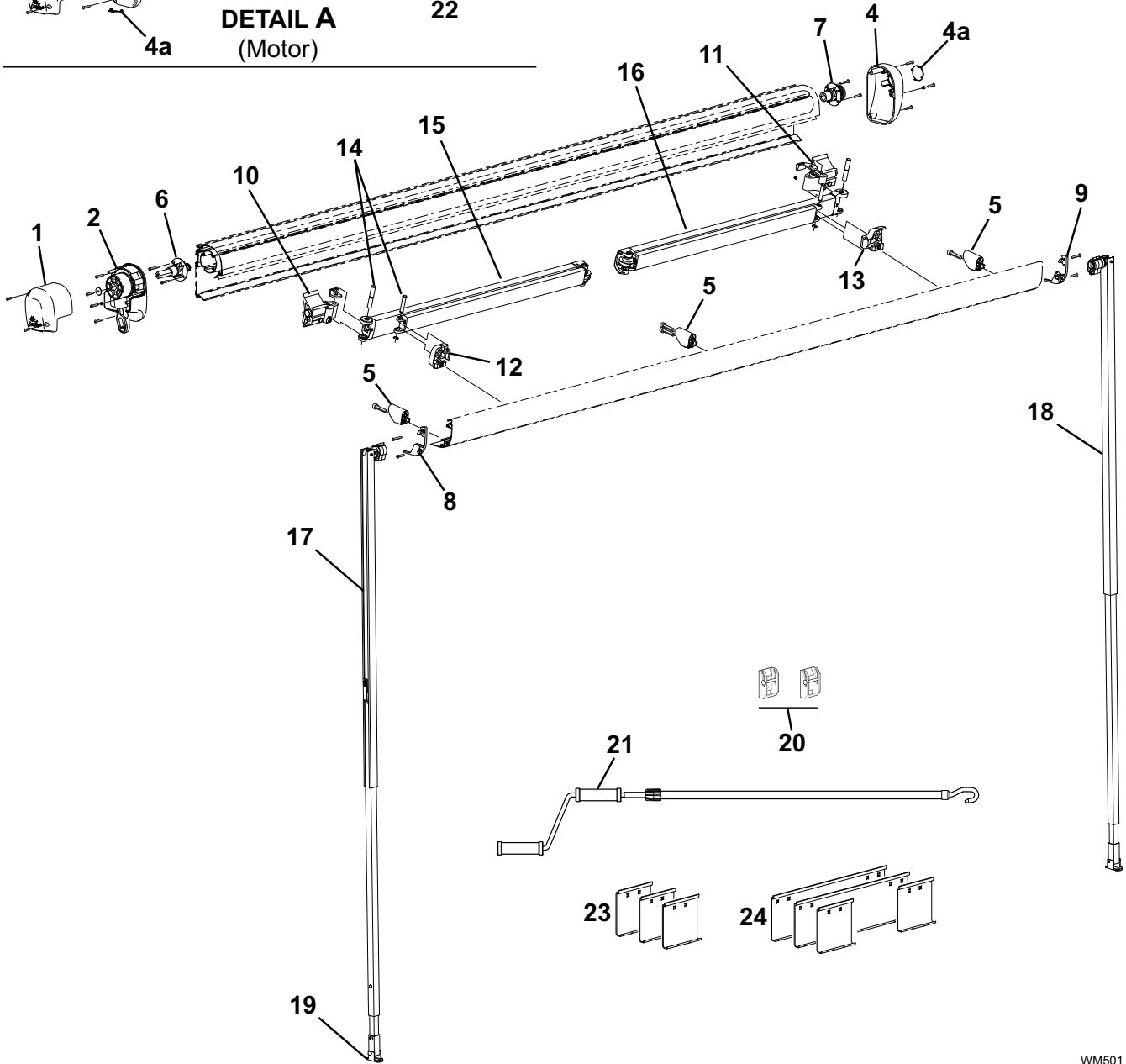
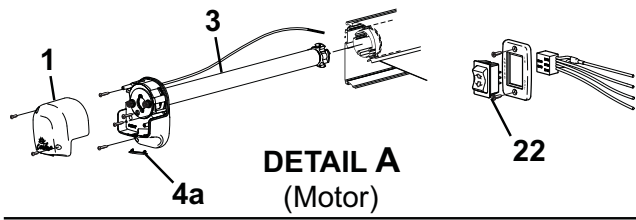


FREEDOM WM ILLUSTRATED PARTS LIST



WM501

| Item | Part Number | Description | Notes |
|-------------|--------------------|----------------------------------|-------------------------------|
| 1 | R001618WHT | Endcap, LH, Top, White | |
| | R001618BLK | Endcap, LH, Top, Black | |
| | R001618GRY | Endcap, LH, Top, Satin | |
| 2 | R001619WHT | Gear Assy, Manual Crank, White | 1 |
| | R001619BLK | Gear Assy, Manual Crank, Black | 1 |
| | R001619SAT | Gear Assy, Manual Crank,Satin | 1 |
| 3 | R001637WHT | Motor Assy, LH, White | 2,4 |
| | R001637BLK | Motor Assy, LH, Black | 2,4 |
| | R001637GRY | Motor Assy, LH, Satin | 2,4 |
| 4 | R001620WHT | Endcap, RH, White | |
| | R001620BLK | Endcap, RH, Black | |
| | R001620GRY | Endcap, RH, Satin | |
| 4a | R040792 | Plug | |
| 5 | R001621 | Ramp Kit, Leadrail | |
| 6 | R001622 | Roller Tube Endplug, LH | |
| 7 | R001623 | Roller Tube Endplug, RH | |
| 8 | R001624WHT | End Plate, Lead Rail, LH, White | |
| | R001624BLK | End Plate, Lead Rail, LH, Black | |
| | R001624GRY | End Plate, Lead Rail, LH, Satin | |
| 9 | R001625WHT | End Plate, Lead Rail, RH, White | |
| | R001625BLK | End Plate, Lead Rail, RH, Black | |
| | R001625GRY | End Plate, Lead Rail, RH, Satin | |
| 10 | R001626 | Knuckle Assy, Case, LH | 3 |
| 11 | R001627 | Knuckle Assy, Case, RH | 3 |
| 12 | R001628 | Assy, Pivot, LH | 3 |
| 13 | R001629 | Assy, Pivot , RH | 3 |
| 14 | R001630 | Hardware Pack, Arm Attach, 1 Arm | |
| 15 | R012530-TB68L | Spring Arm Assy, LH | Used with 2.44 Meter 3 |
| | R012530-TB76L | Spring Arm Assy, LH | Used with 2.57 Meter 3 |
| | R012530-TB94L | Spring Arm Assy, LH | Used with 3 Meter & Up 3 |
| 16 | R012530-TB68R | Spring Arm Assy, RH | Used with 2.44 Meter 3 |
| | R012530-TB76R | Spring Arm Assy, RH | Used with 2.57 Meter 3 |
| | R012530-TB94R | Spring Arm Assy,RH | Used with 3 Meter & Up 3 |
| 17 | R001654-001 | Vertical Support Leg, LH | Used with 2.44 & 2.57 Meter 5 |
| | R001654-002 | Vertical Support Leg, LH | Used with 3 Meter & Up 5 |
| 18 | R001654-101 | Vertical Support Leg, RH | Used with 2.44 & 2.57 Meter 5 |
| | R001654-102 | Vertical Support Leg, RH | Used with 3 Meter & Up 5 |
| 19 | R00394 | Carport Foot | |
| 20 | R019283-001 | Kit, Bottom Bracket, Satin | qty: 2 |
| | R019283-005 | Kit, Bottom Bracket, White | qty: 2 |
| | R019283-006 | Kit, Bottom Bracket, Black | qty: 2 |
| 21 | R001546-RP | Crank, Telescoping | |
| 22 | R001605 | Switch Kit | 4 |
| 23 | R019311-001 | Hardware Pack,FreedomWM,2.43-4m | |
| 24 | R019311-003 | Hardware Pack,FreedomWM,4.5-5m | |

- NOTES
1. Gear Assy (item 2) includes gear and inner endcap assembled. Parts not available separately.
 2. Motor Assy (item 3) includes motor, inner endcap, bearing and one-way drive. Parts not available separately.
 3. Attaching hardware not included with spring arm assemblies. Order item 14.
 4. A motor upgrade kit (SR0097XXX) is available for manual crank awnings and includes motor assembly (item 3), switch kit (item 22) and attaching hardware.
 5. Original vertical support legs uses a gray flipper latch. Replacement latch kit is R00144. Kit not available if leg has orange flipper latch.