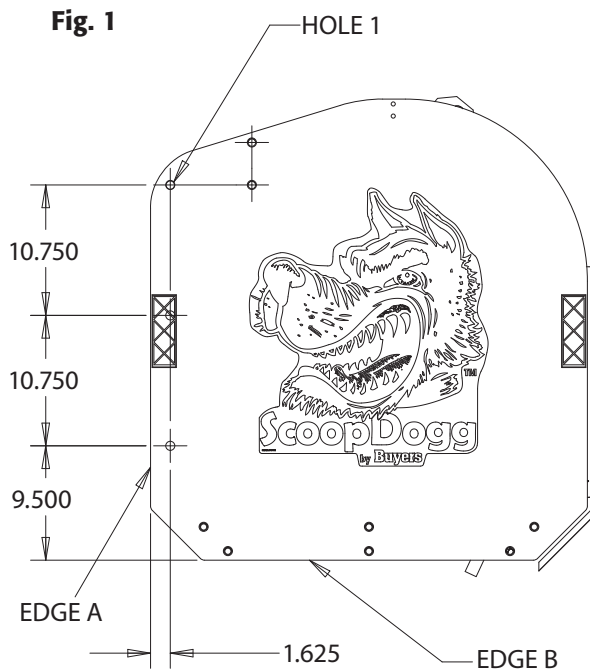


Installation Instructions

9153008 & 9153010 Back Drag Kit for ScoopDogg

1. 5 Holes need to be drilled into both side plates.
2. From EDGE A (Fig. 1) measure horizontally into part 1.625" and mark.

Note: Three holes will be needed on this line



3. From EDGE B (Fig. 1) measure vertically up 9.50 and mark, drill hole with a 25/32 drill, place shoe on plate, clamp shoe vertically using hole as guide, using existing holes on shoe, drill using shoe plate as guide for other holes.

4. Place side shoe (ITEM 1) on outside of plate and insert, starting from bottom of shoe upward 2 (screw hex cap 5/8-11 x 2) and 2(nuts, serrated flange 5/8-11) and tighten, leaving the top hole empty.

Note: Do not insert top bolt yet.

5. Position the BACK DRAG SUPPORT (ITEM 2, 8 FT) or (ITEM 3, 10 FT.) depending on size,(see Fig. 2 on back) and loosely assemble on each end using one 1 (screw hex cap 5/8-11 x 2) and 1(nuts, serrated flange 5/8-11) through the open top hole from step 4. *You may add one or both spacer plates on ends if needed

Note: Top hole of side shoe (item 1) and bottom hole of back drag support (item 2, 8 ft) or (item 3, 10 ft.) Depending on size, will us the same hole.

6. Verify that the back drag edge is horizontal relative to the floor and use the side plate as a template to drill the remaining 4 holes (2 on each side).



7. Assemble remaining nuts and bolts and tighten all fasteners.

8. Assemble rubber cutting edge as shown in Fig. 3.

Bill of Materials (9153008) 8 Ft. & (9153010) 10 Ft.

| ITEM | QTY. | 9153008 | 9153010 | DESCRIPTION |
|------|-------|---------|---------|-----------------------------------|
| 1 | 2 | 3013921 | 3013921 | Side Shoes, Pullback |
| 2 | 1 | 3014157 | — | Pull Back 8 Ft. |
| 2A | 1 | 3014140 | — | Pullback Edge Support Bar |
| 2B | 1 | 3012815 | — | Rubber Edge |
| 2C | 1 | 3012818 | — | Bracket Holddown |
| 3 | 1 | — | 3014158 | Pull Back 10 Ft. |
| 3A | 1 | — | 3014155 | Pullback Edge Support Bar |
| 3B | 1 | — | 3012753 | Rubber Edge |
| 3C | 1 | — | 3010743 | Bracket Holddown |
| 4 | 10 | — | — | Washer, 5/8 SAE Flat ZN |
| 5 | 10 | — | — | Screw, Hex Cap 5/8-11 X 2 GR5 ZN |
| 6 | 18\20 | — | — | Nut, Serrated Flange 5/8-11 ZN |
| 7 | 8\10 | — | — | Carriage Bolt 5/8-11 X 2.5 GR5 ZN |
| 8 | 2 | 3017348 | 3017348 | Plate, Spacer, Pullback |

WARRANTY

Buyers Products Co. warrants all truck/trailer hardware manufactured or distributed by it, to be free from defects in material and workmanship for a period of one year from date of shipment. Parts must be properly installed and used under normal conditions. Any product which has been altered, including modification, misuse, accident or lack of maintenance will not be considered under warranty. Normal wear is excluded. The sole responsibility of Buyers Products Co. under this warranty is limited to repairing or replacing any part or parts which are returned, prepaid, and are found to be defective by Buyers Products Co. Authorization from Buyers Products Co. must be obtained before returning any part. No charges for transportation or labor performed on Buyers' products will be allowed under this warranty.

Fig. 2

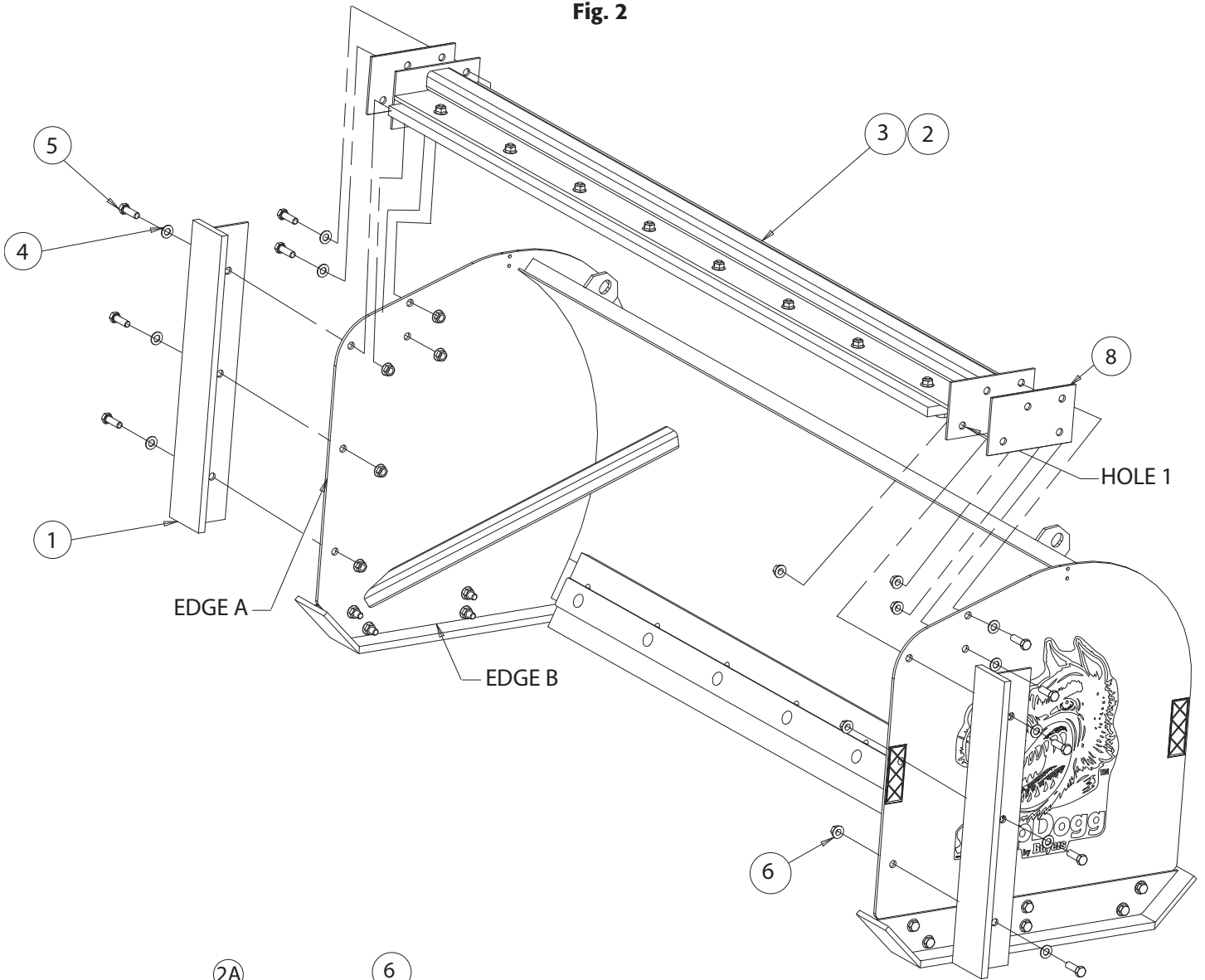


Fig. 3

