

RT40 WINCH

Part Number: 77000

Rated Line Pull: 4000 lbs. (1814 kgs)

Motor: 12V DC, 1.5 hp (1.1 kW) Permanent Magnet

Controls: Remote Control, 10' (3.0m) lead and Universal Mount Mini Rocker

Gear train: 3-Stage Planetary

Gear Ratio: 136:1

Clutch (Freespool): Sliding Pin and Ring Gear

Brake: Roller Disk

Drum diameter/length: 2.25"/4.7" (57mm/119mm)

Kit Shipping Weight: 31.4 lbs. (14.2 kgs)

Rope: Galvanized Steel Wire, \varnothing 7/32" x 55' (\varnothing 5.5mm x 16.8 m)

Fairlead: Roller

Recommended Battery: 500 CCA minimum

Duty Cycle: Intermittent

Battery leads: 6 gauge

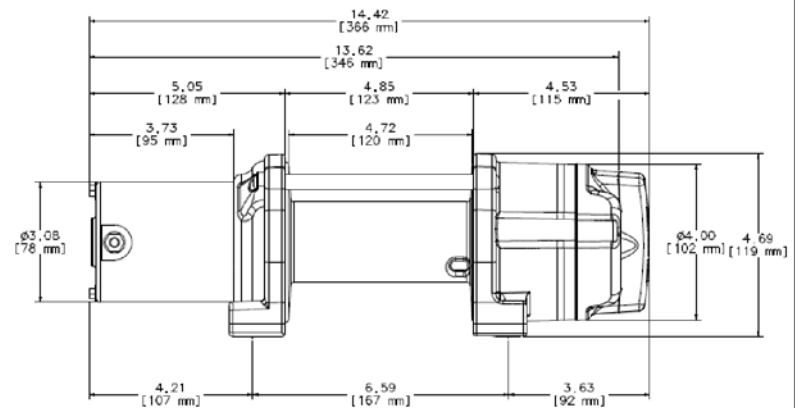
Finish: Steel Grey Powder Coat

Warranty: Limited Lifetime

Mounting Bolt Pattern: 3.0" x 6.66" (76mm x 169mm)

Winch Dimensions: 14.42" L x 4.51" D x 4.69" H (36.6cm L x 11.5cm D x 11.9cm H)

Winch Weight: 17.9 lbs. (8.1 kgs)



PERFORMANCE DATA

Load lbs. (kgs)	Current (Amps)	Speed Ft/min. (m/min.)
4000 (1814)	314	4.6 (1.4)
3000 (1360)	232	7.9 (2.4)
2000 (907)	157	12.7 (3.9)
1000 (454)	88	18.6 (5.7)
0	21	25 (7.6)

Pull by Layer Layer/lbs. (kgs.)
1/4000 (1814)
2/3320 (1506)
3/2855 (1295)
4/2512 (1140)

DUTY CYCLES

Load lbs(kgs)	Run Time	Distance ft.(m)	Cool Time (min)
0	2.5 min	55 (16.8)	12
500 (227)	2.0 min	45 (13.7)	10
1000 (455)	1.5 min	27 (8.2)	10
2000 (907)	45 sec	10 (3.0)	10
3000 (1360)	30 sec	4 (1.2)	10
4000 (1814)	10 sec	1 (0.3)	10

SERVICE INSTRUCTIONS

Should you encounter a problem during installation or operation of your winch, please follow these steps toward resolving the problem:

1. Refer to your operator's guide and installation instructions. It has illustrations and detailed information on the installation and safe and proper operation of your winch. It also includes a replacement parts list and assembly diagrams. If you are unable to resolve the problem, then go to step 2.
2. Contact your dealer where you purchased your winch. If, after discussing the problem with their parts and service staff, you are still unable to resolve the problem then go to step 3.
3. Call an Authorized WARN Service center from the list provided on the back of the warranty sheet included with the product. When calling, please have the following information available: winch model number and purchase date, make, model and year of vehicle.
4. If you are unable to resolve the problem to your satisfaction, please call Warn Industries Customer Service at: 1-800-543-9276. When calling, please have the following information available: winch model number and purchase date, make, model and year of vehicle. You may also contact Warn Industries by visiting our website: www.warn.com

SERVICE/UPGRADE KITS

Wire Rope Assy7/32" x 55ft.....	PN 68851
Contact Kit 12 VDC, Albright SVC	PN 76429
Remote Control, 10ft lead	PN 64849
Socket Assembly, Remote Control	PN 69648
Roller Fairlead Kit	PN 29256
Plate, Fairlead Mount	PN 69646
Hook Kit, 5/16" Clevis w/Strap	PN 39557
Strap, Hook	PN 69645
Switch Kit, Mini Rocker	PN 64851
Remote Control, Wireless	PN 74500
Boot Electrical, 6 ga. (2 pair)	PN 76997
Cable Assy Kit, 6 ga. Black/Red 36"	PN 76855
Cable Assy Kit, 6 ga. Blue/Yellow 96"	PN 76856

WINCH SERVICE KITS

Kit PN	Items in Kit
74541	1, (2)20
69637	(2)2
74925	3, 7, 12, (2)29, 31
74996	4, 5
74924	6
74998	8
75220	(2)10, (4)19
74917	9, 11, (2)19
75005	13
75004	14
74918	15
75003	16
75001	17
74919	18
74919	23, 24, 25, 26, 27, 28, (2)29, (2)30, 31, 32, (6)33, 34, 35, 36, 37
74921	35, 36, 37
76873	37
74923	24, 25, 26, 27, 28, 31
74926	15, 30, 34
74930	(2)20, (6)21